



Sign Lighting World, LLC

www.SignLightingWorld.com

3265 Walnut St.
Boulder, CO 80301
720-242-9000

LED Shoebox Parking Light Specifications



130
LM/W

IP65

PHILIPS
LUMILEDS

MW
MEANWELL

Application:



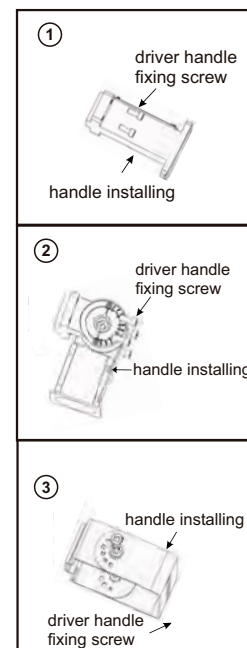
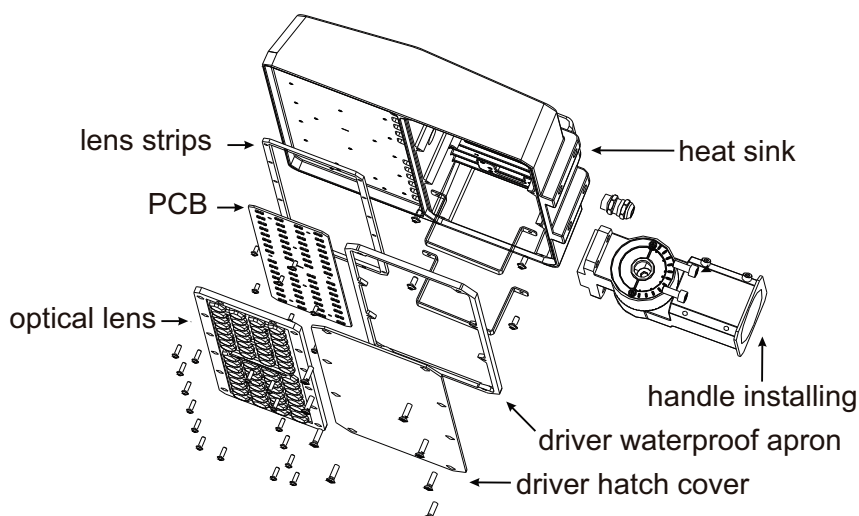


FEATURES&SPECIFICATIONS

Advantages:

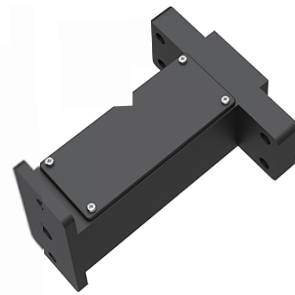
- Aluminum die-cast housing with efficient heat dissipation design.
- Powder coating black for housing: anti ageing, corrosion resistant, electrostatic & spray processing.
- High efficiency LED Chips - Philips 3030 or Nichia 3030, CRI: >80Ra, luminous efficiency of whole fixture above 130lm/w.
- PC lens with multiple beam angles (70*140°) designed for the road lighting, more efficient than traditional lamp.
- Photocell sensor is optional for all the shoebox lights, more energy saving and easy maintenance.
- Four types of installation kits available Lamp can be mounted on round and square poles, walls, brackets according to your request.
- Built -in and replaceable waterproof LED driver with APFC, THD<20%, output short circuit protection, surge voltage protection & over voltage protection.
- Waterproof IP65.
- Five year warranty

Exploded Map Of Shoebox Light:

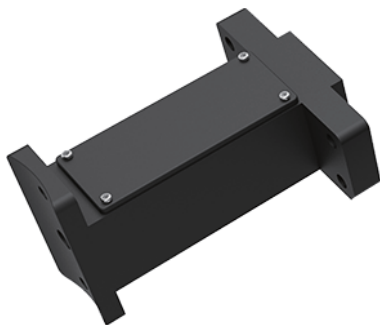




Slip filter mounting to round pole



Straight mounting to round pole



Straight mounting to a square pole



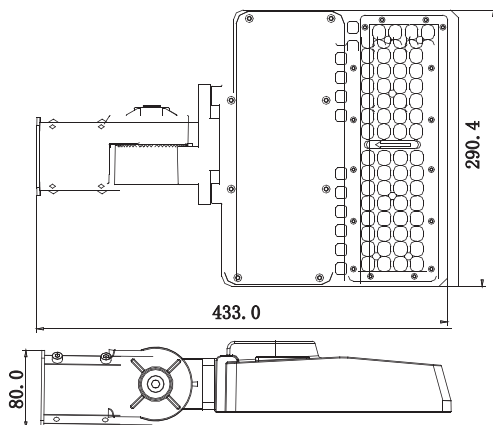
Swivle mounting



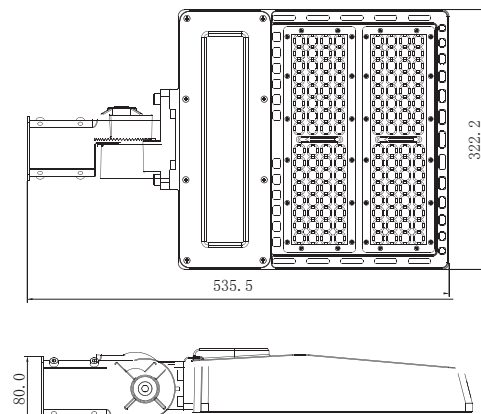
Specification

Item	RZ-S60SS	RZ-S90SS	RZ-S150HL	RZ-S200W	RZ-S240W	RZ-S300W
Power	60W	90W	150W	200W	240W	300W
Lumen	7800LM	11700LM	19500LM	26000LM	31200LM	39000LM
Power Factor	0.95	0.95	0.95	0.95	0.95	0.95
Input Voltage	100-277V AC					
CCT	4000K,5000K,6000K					
CRI	Ra>80					
Luminous Efficiency	130-140LM/W					
LED Chip Brand	PHILIPS LUMILEDS					
LED Driver Brand	MW Meanwell HLG series LED Driver					
Housing Color	Brown					
IP Grade	IP65					
Beam Angel	TypeII,TypeIII,TypeV beam angel available					
Installation	Slip filter mounting to round pole , Straight mounting to round pole Straight mounting to a square pole , Swivle mounting					
Material	Aluminum					
Working Temperature	-30°C ~ +45°C					
Working Humidity	15% ~ 90% RH					
Lifespan	50000 hours					
Warranty	5 years					

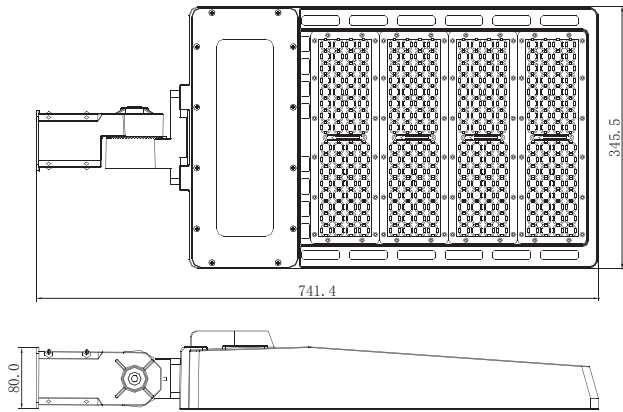
Dimension



RZSH-60WXKTX
RZSH-90WXKTX



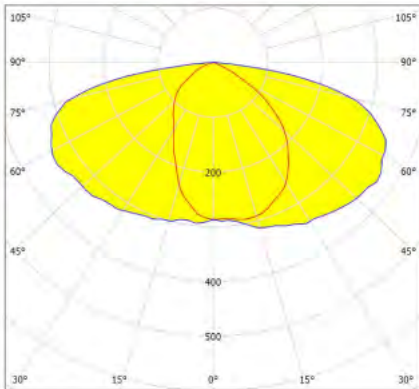
RZSH-150WXKTX
RZSH-200WXKTX



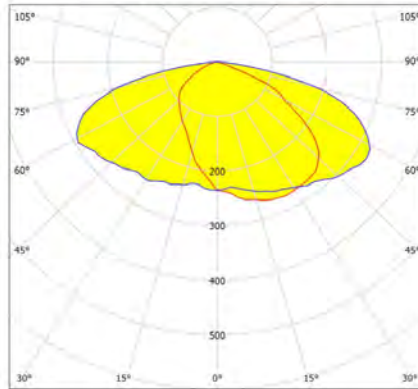
RZSH-240WXKTX
RZSH-300WXKTX

Light Distribution Curve

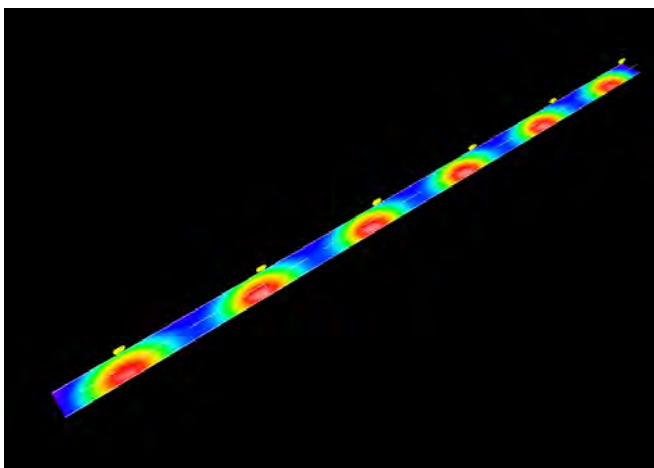
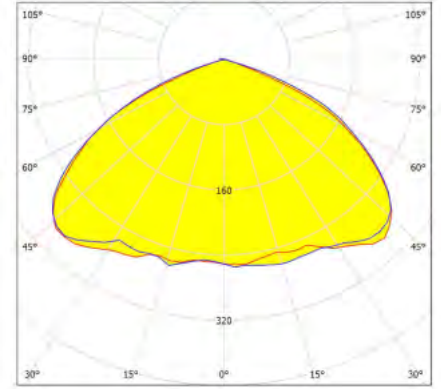
Type II - S



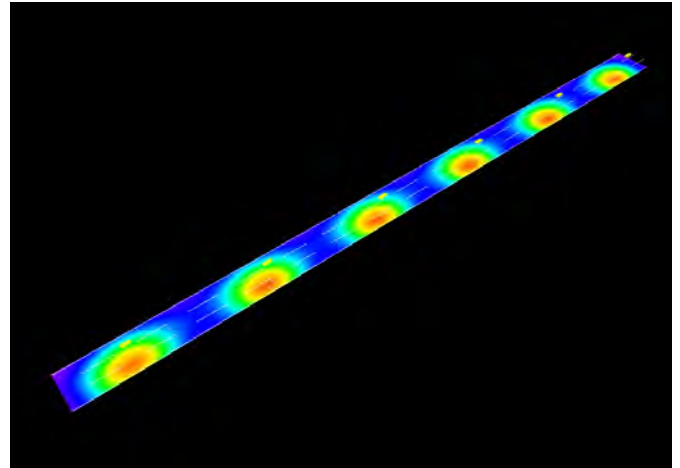
Type III - S



Type V



1. Type II - S lens simulated road parameters: pole height 10, pole distance 35m, angle of slope 0 degrees. One way, two lanes, width 7.5m



2. Type III - S lens simulated road parameters: pole height 10, pole distance 35m, angle of slope 0 degrees. One way, two lanes, width 11.25m



Installation

Warning

- READ CAREFULLY BEFORE INSTALLING FIXTURE. RETAIN THESE INSTRUCTIONS FOR FUTURE REFERENCE.
- Fixtures must be wired in accordance with the National Electrical Code and all applicable local codes.
- Proper grounding is required for safety.
- THIS PRODUCT MUST BE INSTALLED IN ACCORDANCE WITH THE APPLICABLE INSTALLATION CODE BY A PERSON FAMILIAR WITH THE CONSTRUCTION AND OPERATION OF THE PRODUCT AND THE HAZARDS INVOLVED.
- Make certain power is OFF before installing or maintaining fixture. No user serviceable parts inside.
- For proper weatherproof function all gaskets must be seated properly and all screws inserted and tightened firmly.

Packaging



Lamps	Carton size	QTY/CTN	Weight	20 GP	40 HQ
60W	500X340X135MM	1PCS	6.8kg	1000pcs	2000pcs
90W	500X340X135MM	1PCS	6.8kg	1000pcs	2000pcs
150W	580X375X155MM	1PCS	8.8kg	660pcs	1300pcs
200W	580X375X155MM	1PCS	8.8kg	660pcs	1300pcs
240W	795X390X195MM	1PCS	12.8kg	330pcs	660pcs
300W	795X390X195MM	1PCS	12.8kg	330pcs	660pcs