

LITETRONICS®

INNOVATION. SIMPLIFIED.

www.SignLightingWorld.com Phone: 720-242-9000

Litetronics RetroFit Kit

THE MARKET'S EASIEST FLUORESCENT-TO-LED CONVERSION



A MONEY-SAVING, HANDS-FREE SOLUTION



Convert a range of fluorescent sizes, shapes and wattages to LED while preserving your fixtures

With Litetronics' LED RetroFit kit, converting your fluorescent lights to LED has never been more simple or easy. RetroFit is a fully integrated assembly kit designed for 120-277 volt applications. It fits securely into your existing fixture using powerful rare earth magnets, leaving your hands free to complete a quick installation. There's no ballast, no tubes, and very few parts. In fact, you'll be done in about 3 minutes.

Once RetroFit is installed, you'll experience consistent and even light (83 Color Rated Index) across all fixtures for 85,000 hours, or about 20 years of 11.5 hours/day use. All that time you will be saving up to 60% on energy costs over your fluorescent lighting.

RetroFit is the latest from Litetronics, a family-owned, U.S. company with a 40-year record of innovation and quality.





“The quality is amazing... and I’ve never seen a product that goes in as quickly and as easily.”

– Roger Goecks
Lakeshore Middle School



After

Before

EASY, 3-MINUTE INSTALLATION

Remove

- Turn off the power
- Unscrew the existing fluorescent tubes
- Remove ballast cover
- Disconnect ballast and cut wires near sockets — leave sockets in place

Secure

- With the magnets facing the housing, place the RetroFit into position
- RetroFit will attach magnetically; align as needed
- Secure RetroFit with two of the included self-tapping screws, in opposite corners

Connect

- Attach the quick connect to the incoming electrical line
- Cover wires and connection with provided magnetic junction box

Finish

- Secure cover with self-tapping screws
- Apply included spec labels to the fixture
- Close cover
- Restore power



FEATURES THAT DELIVER VALUE AND CONVENIENCE

Major savings

- Reduces utility costs
- Saves on labor; RetroFit can be installed quickly by nearly anyone
- Fewer bulb replacement costs — LED lasts 3-4 x longer than fluorescent
- Lasts 85,000 life hours (approximately 20 years)
- Elimination of the ballast saves more energy
- Qualifies for utility rebates

Easy 3-minute installation

- Fits into existing strip, troffer, wrap or surface mount fixtures
- Requires only basic tools; no advanced installation techniques
- Leaves ceiling plenum intact and eliminates potential construction issues; e.g., asbestos and other hazards

Efficient, long-lasting quality light

- Maintains even lumination 3x longer than fluorescent
- A high 83 Color Rendering Index (CRI)
- No noise and less flicker
- Better lumen maintenance
- Dimming and bi-level switching available

Peace of mind

- Try RetroFit in advance with a 60-day free trial
- RetroFit kit, including fully integrated drivers, covered by 7-year warranty
- Emergency battery back-up option available

Daisy chain more 1'x4' Retrofits from one power source

WATTS	DAISY CHAIN
16	36
32	18
45	12

High 83 Color Rendering Index (CRI) delivers excellent light — available in the most popular color temperatures.





SAVE UP TO
60%
 OVER FLUORESCENT

RE-USE YOUR
**EXISTING
 TROFFERS**

85,000
 LIFE HOURS

INCLUDES A
7-YEAR
 LIMITED WARRANTY

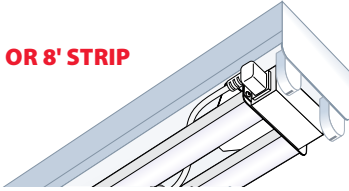
Why is Litetronics' RetroFit superior to other LED products?

<p>Other national-brand RetroFit kits</p>	<p>Litetronics LED RetroFit</p> <ul style="list-style-type: none"> • Faster installation • Few parts • Strong lumen/watt ratio • Integrated rare earth magnets for easy attachment
<p>Complete LED fixtures</p>	<p>Litetronics LED RetroFit</p> <ul style="list-style-type: none"> • Can be installed by maintenance staff personnel • Re-use existing fixture case and lens or diffuser • No breaking into ceiling plenum • No cleanup of bulky fixture debris • Lower total costs • Maintains lighting design integrity
<p>LED tubes with ballast</p>	<p>Litetronics LED RetroFit</p> <ul style="list-style-type: none"> • Fewer parts: just one integrated assembly kit vs. multiple tubes • No ballast compatibility issues • Maintain original optics and aesthetics • No potential socket breakage

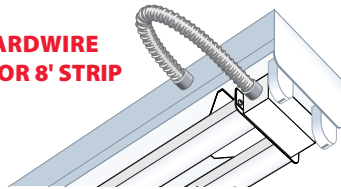
SPECIFICATIONS

A wide range of sizes, shapes and light levels

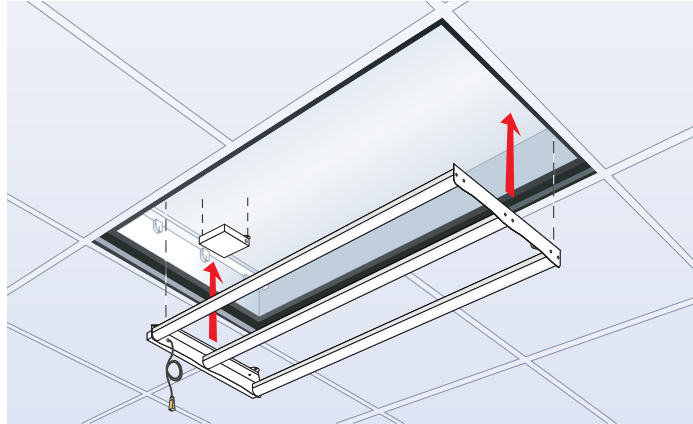
4' OR 8' STRIP



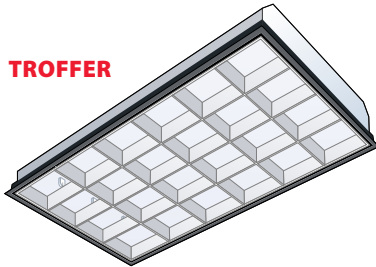
**HARDWIRE
4' OR 8' STRIP**



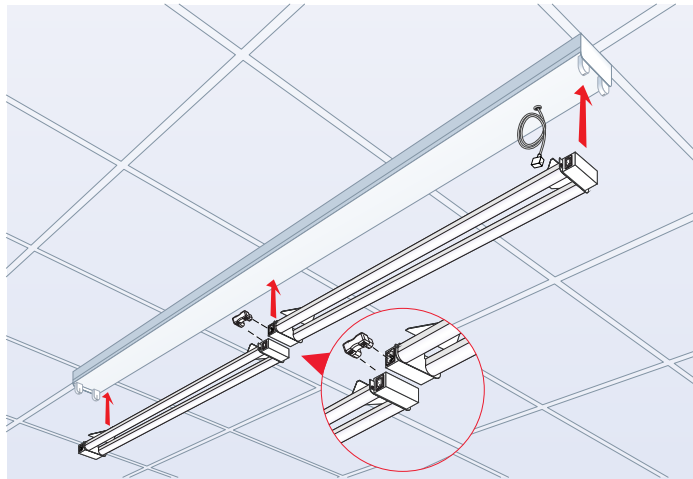
2 OR 3 TUBE RETROFITS FITS STANDALONE 2'X 4' TROFFERS



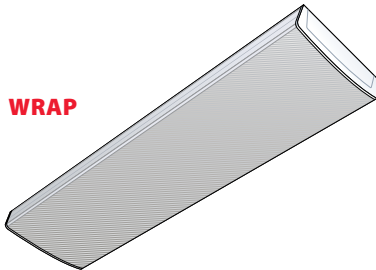
TROFFER



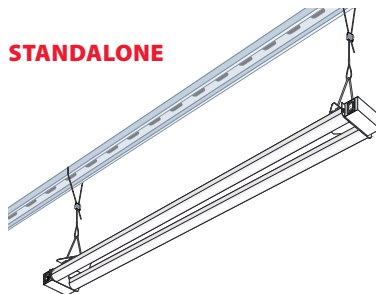
1'X 4'-2 TUBE EASILY COMBINES INTO AN 8' STRIP ASSEMBLY



WRAP

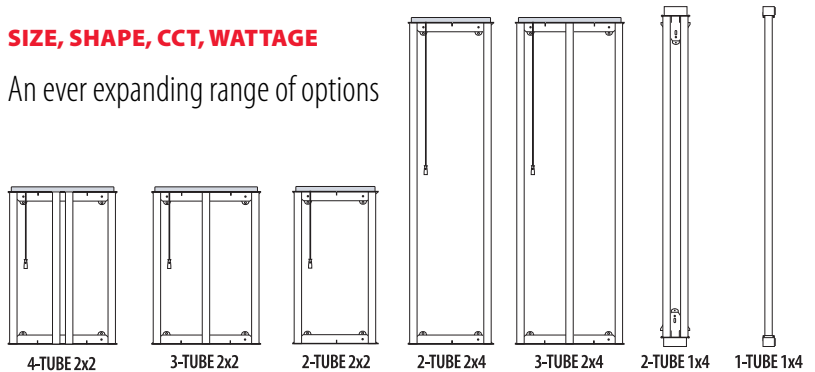


STANDALONE



SIZE, SHAPE, CCT, WATTAGE

An ever expanding range of options



1' x 4'

TYPE	WATTS	ORDERING CODE	CCT (K)	AVERAGE RATED LIFE	RETROFIT LUMENS*	LUMINAIRE LUMENS
1-TUBE	16	RF16UQT135C	3500	85,000	2,200	1,700
		RF16UQT140C	4000			
		RF16UQT150C	5000			
2-TUBE	32	RF32UHT135	3500	85,000	4,400	3,400
		RF32UHT140	4000			
		RF32UHT150	5000			
		RF32UQT135C	3500			
		RF32UQT140C	4000			
		RF32UQT150C	5000			
2-TUBE	45	RF45UHT135	3500	85,000	6,300	4,800
		RF45UHT140	4000			
		RF45UHT150	5000			
		RF45UQT135C	3500			
		RF45UQT140C	4000			
		RF45UQT150C	5000			

*Production as of 9/1/2016

2' x 2'

TYPE	WATTS	ORDERING CODE	CCT (K)	AVERAGE RATED LIFE	RETROFIT LUMENS	LUMINAIRE LUMENS
2-TUBE	22	RF22UQT235	3500	85,000	2,300	2,010
		RF22UQT240	4000			
		RF22UQT250	5000			
3-TUBE	32	RF32UQT235	3500	85,000	3,600	3,100
		RF32UQT240	4000			
		RF32UQT250	5000			
4-TUBE	52	RF52UQT235	3500	60,000	5,380	4,675
		RF52UQT240	4000			
		RF52UQT250	5000			

2' x 2' DIMMABLE 0-10V

TYPE	WATTS	ORDERING CODE	CCT (K)	AVERAGE RATED LIFE	RETROFIT LUMENS	LUMINAIRE LUMENS
3-TUBE	32	RF32UQT235DL	3500	85,000	3,600	3,100
		RF32UQT240DL	4000			
		RF32UQT250DL	5000			

2' x 2' BI-LEVEL SWITCHING

TYPE	WATTS	ORDERING CODE	CCT (K)	AVERAGE RATED LIFE	RETROFIT LUMENS	LUMINAIRE LUMENS
3-TUBE	32	RF32UQT235B	3500	85,000	3,600	3,100
		RF32UQT240B	4000			
		RF32UQT250B	5000			

2' x 4'

TYPE	WATTS	ORDERING CODE	CCT (K)	AVERAGE RATED LIFE	RETROFIT LUMENS	LUMINAIRE LUMENS
2-TUBE	32	RF32UQT435	3500	85,000	3,600	3,100
		RF32UQT440	4000			
		RF32UQT450	5000			
3-TUBE	50	RF50UQT435	3500	85,000	5,850	4,900
		RF50UQT440	4000			
		RF50UQT450	5000			

GUIDE: KEY NUMBER MATRIX

PRODUCT FAMILY	WATTAGE		VOLTAGE	CONNECTOR	SHAPE	COLOR TEMPERATURE	SERIES CONNECT
RF = LED Retrofit	16 = 16W	45 = 45W	A = 120V	Q = QuickConnect	T1 = 1'x4' Troffer	35 = 3500K	B = Bi-level
	22 = 22W	50 = 50W	U = 120-277V	H = Hardware	T2 = 2'x2' Troffer	40 = 4000K	C = Connectable
	32 = 32W	52 = 52W			T4 = 2'x4' Troffer	50 = 5000K	D = 120V Dimming
							DL = 0-10V Dimming

2' x 4' DIMMABLE 0-10V

TYPE	WATTS	ORDERING CODE	CCT (K)	AVERAGE RATED LIFE	RETROFIT LUMENS	LUMINAIRE LUMENS
3-TUBE	50	RF50UQT435DL	3500	85,000	5,850	4,900
		RF50UQT440DL	4000			
		RF50UQT450DL	5000			

2' x 4' DIMMABLE 120V

TYPE	WATTS	ORDERING CODE	CCT (K)	AVERAGE RATED LIFE	RETROFIT LUMENS	LUMINAIRE LUMENS
3-TUBE	50	RF50AQT435D	3500	85,000	5,850	4,900
		RF50AQT440D	4000			
		RF50AQT450D	5000			

2' x 4' BI-LEVEL SWITCHING

TYPE	WATTS	ORDERING CODE	CCT (K)	AVERAGE RATED LIFE	RETROFIT LUMENS	LUMINAIRE LUMENS
3-TUBE	50	RF50UQT435B	3500	85,000	5,850	4,900
		RF50UQT440B	4000			
		RF50UQT450B	5000			

ADDITIONAL ACCESSORIES



1' x 4' ACCESSORIES

IMAGE	ORDERING CODE	ACCESSORY USE
A	RFAXPVL5	Ready-to-use kit for suspending RetroFit for standalone use
B	RFAC-4FT	Connect 2 RetroFits together when less than or equal to 4' apart
C	RFAC-8IN	Connect 2 RetroFits together when less than or equal to 8" apart
D	RFAC	Butt connect 2 RetroFits together to create 8' unit
E	RFAHS-20	Drill a 20MM hole through metal for electrical wiring of RetroFit

2' x 2' AND 2' x 4' ACCESSORY

IMAGE	ORDERING CODE	ACCESSORY USE
F	RF AJBL	Provides extra space for electrical wiring when needed

ORDER YOUR RETROFIT KIT TODAY!

Serving a broad range of markets

Healthcare, education, retail, commercial and other industries can now convert to money-saving LED lighting easily and more affordably. RetroFit offers market-specific benefits: it meets the hygienic requirements of hospitals and labs, provides shatterproof, flicker-free lighting for schools, food service and industrial facilities, and brighter, more true light for retail merchandise and other commercial operations.

