



RP530 Specification

Features

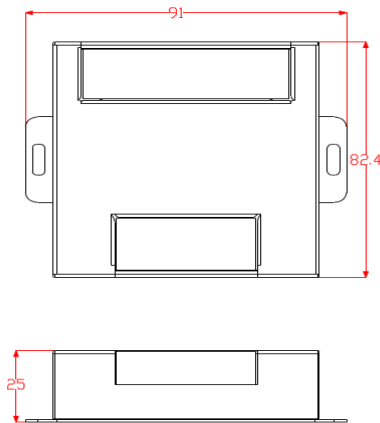
- Boosts/Repeats RGB synchronous changing signal
- High-speed processing power, No Delay, No Flicker
- MAX 30A, up to 10A (3-channel RGB)
- DC12/24V
- Can connect an unlimited number of LED modules by connecting the repeaters in series



Technical parameters

Input voltage	DC12V~24V
Signal output	RGB
Max Load current	10A/CH*3CH
Output power	360W max(12V) 720W max(24V)
Controller size	3.25in x 3.6in x 1.0in
Package size	3.30in x 3.6in x 1.0in
G.W.	8oz. (224g)

Dimension



Wiring diagram

