



SLW LED®  
Sign Lighting World, Inc.  
720-242-9000  
Sales@SignLightingWorld.com



**S-3072-XX & S-3090-XXXX**



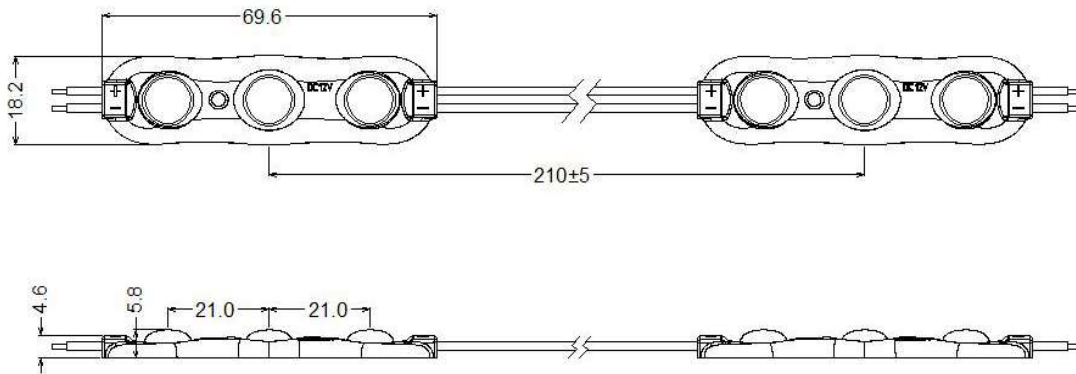
#### ◆ Features

- ◇ Constant Current Technology, 40pcs per string
- ◇ Exposed Aluminum plate for heat dissipation
- ◇ Injection molding process, IP 67 waterproof
- ◇ High efficiency chip, high brightness and reliability
- ◇ Energy saving, environmentally friendly
- ◇ Long life span
- ◇ Suitable for channel letters, light boxes, back lighting, etc.

#### ◆ Applications

- ◇ Channel letter lighting
- ◇ Commercial standing lighting
- ◇ Letter background lighting
- ◇ Light box lighting
- ◇ Logo lighting
- ◇ Line/shape lighting, etc

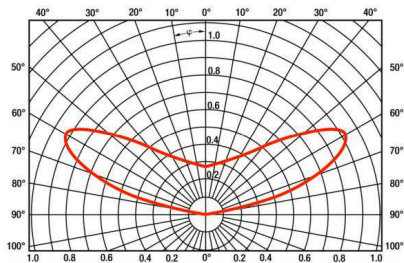
#### ◆ Dimensions (mm)



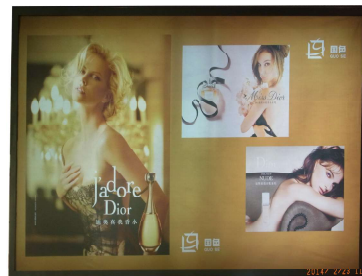
◆ **Technical parameters**

Part No.	Color	Wave Length or CCT	Operating Voltage	Rated Power per module	Beam Angle	Lm Flux per module	IP Rate
S-3090-W	White	6500K	DC12V	0.9W	160°	81 lm	IP67
S-3090-WW	Warm White	3000K	DC12V	0.9W	160°	75 lm	IP67
S-3072-G	Green	520-525nm	DC12V	0.72W	160°	40 lm	IP67
S-3072-R	Red	620-625nm	DC12V	0.72W	160°	25 lm	IP67
S-3072-Y	Yellow	590-595nm	DC12V	0.72W	160°	15 lm	IP67
S-3072-B	Blue	465-470nm	DC12V	0.72W	160°	10 lm	IP67

◆ **Distribution curve**



◆ **Application Guide**



1. Maximum number of modules per string is 40pcs from power supply to end.
2. Some parameters may change based on material of light boxes or channel letters.
3. The LED module and its components cannot be mechanically stressed.
4. Ensure that power supplies used are of adequate output to operate entire load.
5. Only professionals may install, maintain or tear down LED modules.
6. All box materials used for installation must meet anti-flame rules.
7. Power supplies should have short circuit, overload protections, and total power should be less than 80% of rated power .
8. Working temperature: -25~55C.