



SLW LED®
 Sign Lighting World, LLC
 720-242-9000
 Sales@SignLightingWorld.com

SLW603AA-UL

5050SMD SLW LED® LED Modules

Available in: White, Red, Blue, Green & Amber



Product Features

The SLW603AA is powered by an Epistar 5050 SMD LED chip, designed to produce high luminous efficacy. Built with over-molded housing and aluminum PCB, the SLW603AA was designed to last. Printed markings allow individual modules to be cut, while double-sided 3M adhesive tape found on the back of modules allows for easy installation.

Product Specifications

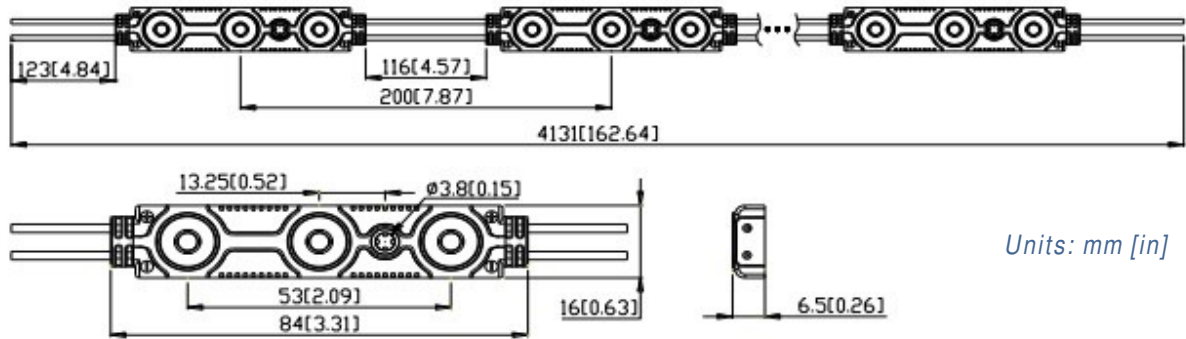


	Model No.	M603AA-UL
Physical	Color	White
	Dimensions (length x width x height)	3.31" x 0.63" x 0.26"
	Color Temperature (White)	6000K
	LED Chips / Module	3
	LED Modules / Foot	2
	LED Modules / String	20
	Operating Temperature	-13 ~ 140 °F
	Storage Temperature	-13 ~ 158 °F
	View Angle	115°
Electrical	Power Consumption	0.72 W
	Forward Voltage	12VDC
	Forward Current	60 mA
Output	Lumens / Module (White)	66
	Lumens / Foot	132
Safety	Certification	UL, CE, RoHS
	Ingress Grade	IP65
	Warranty	3 years or 13,000 hours

Color Variations

		Warm White	Cold White	Red
Physical	Color Temperature	3000K	9000K	620-625K
	CRI	75	75	
Electrical	Lumens / Module	66	66	18
	Lumens / Foot	132	132	32

Product Dimensions



Light Distribution

